

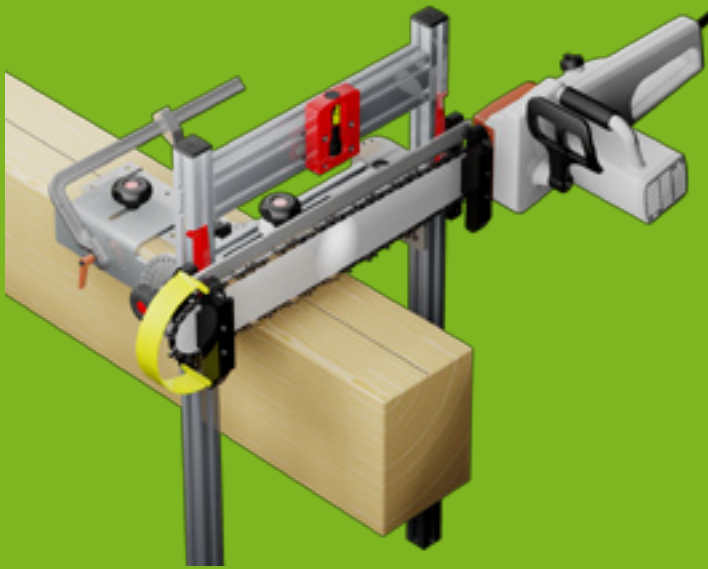


CUTTING...

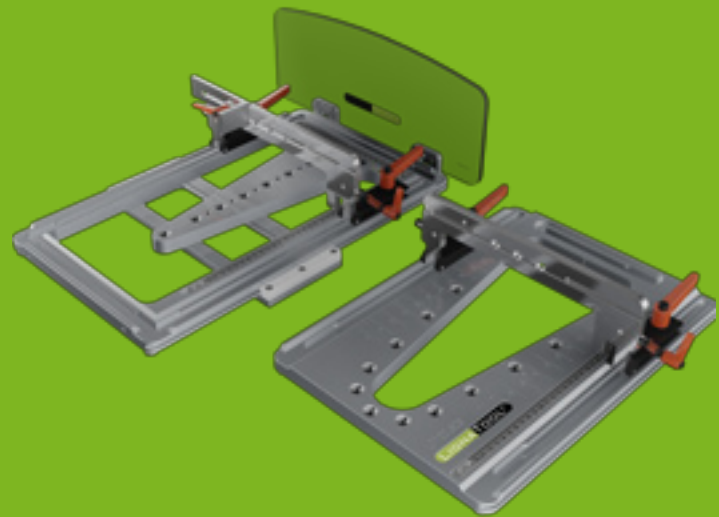
...MILLING...

...DONE!

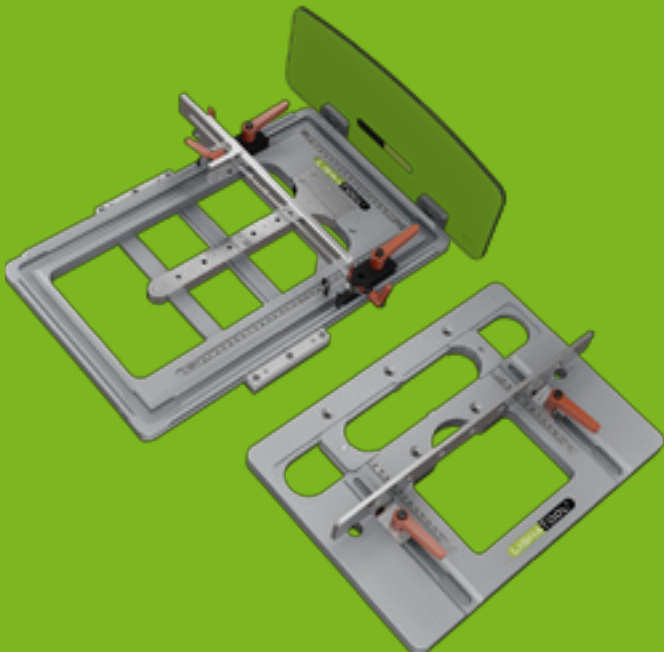
Cutting guide for chainsaws



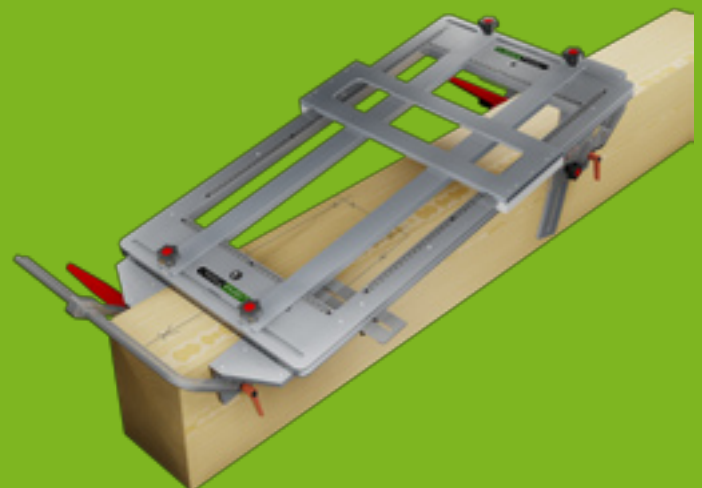
Milling system for dovetail joints



Mortise and Tenon



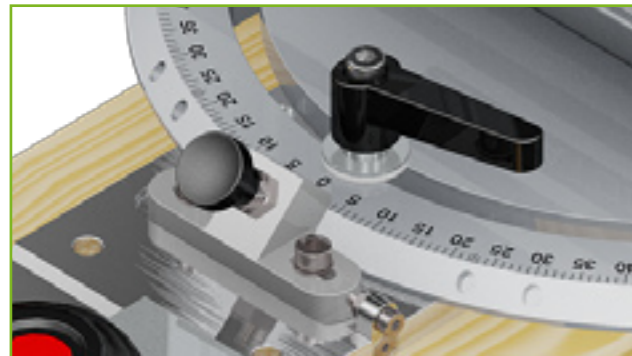
Universal template



# Lignatool - Cutting guide for chainsaws



Vertical angle adjustment



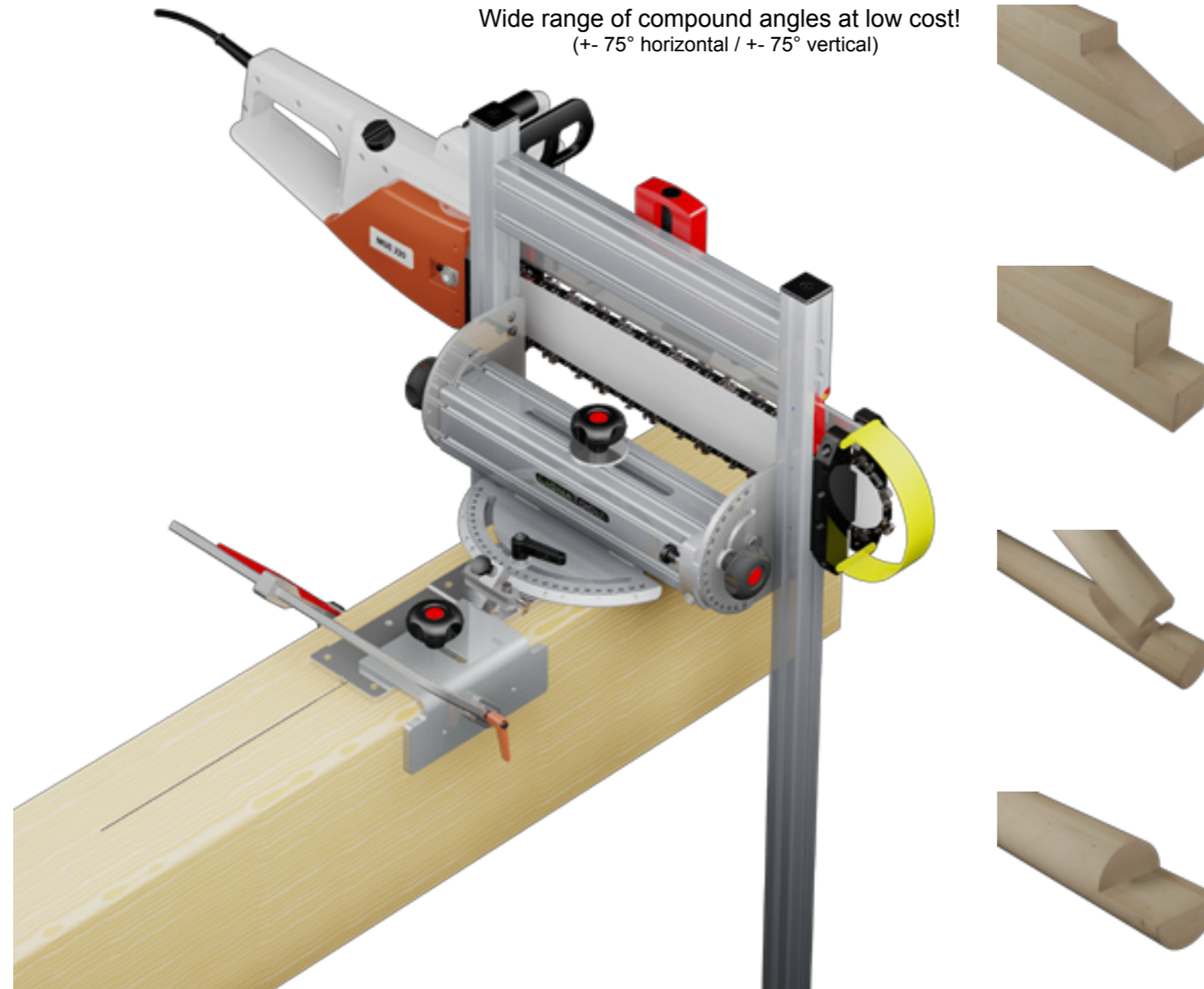
Horizontal angle adjustment



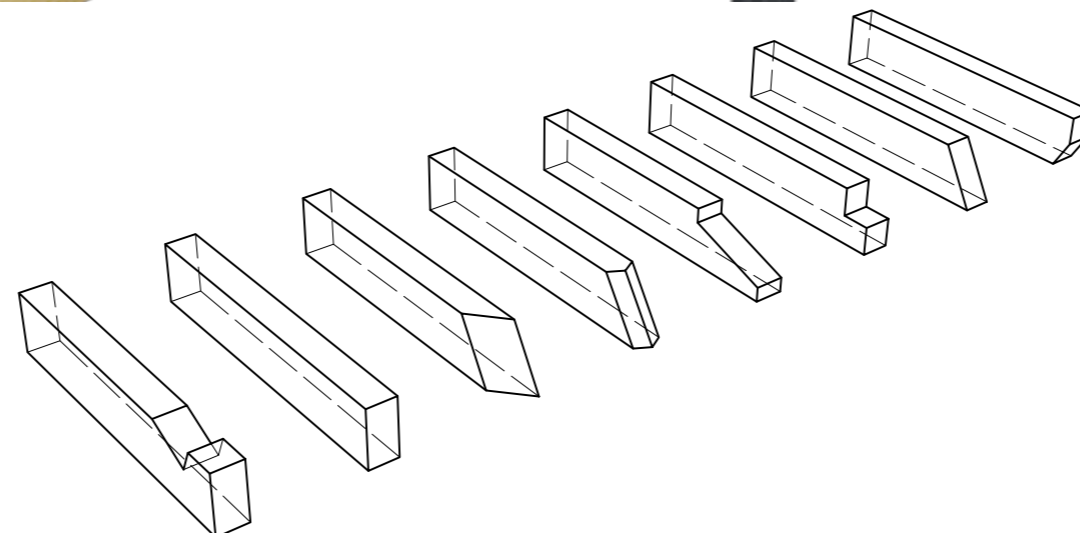
Laser



Highly visible laser scribe



Wide range of compound angles at low cost!  
( $\pm 75^\circ$  horizontal /  $\pm 75^\circ$  vertical)



Hook the chainsaw diagonally



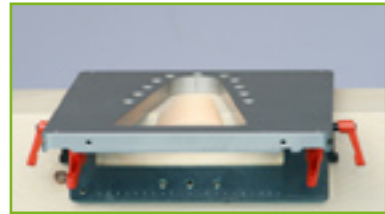
Cut exact along the runner

## Your advantages:

- mobile for workshop or construction site
- for round and angular timber cross section
- suitable for electric or gas chainsaws
- laser scribe for exact cutting position
- cutting direction either from the left or from the right (for optimum cutting surface)
- very safe operation through protection guard
- chainsaw with protection guard can be also used without cutting guide for other use

Section:		Cutting-	
angle-	vertical	width	height
horizontal	90°	400mm	600mm
	60°	400mm	510mm
	45°	400mm	420mm
45°	45°	270mm	420mm

# Lignatool - Milling system for dovetail joints



adjust mortise template



adjust milling depth



fasten mortise template



fasten tenon template



lock router cutter



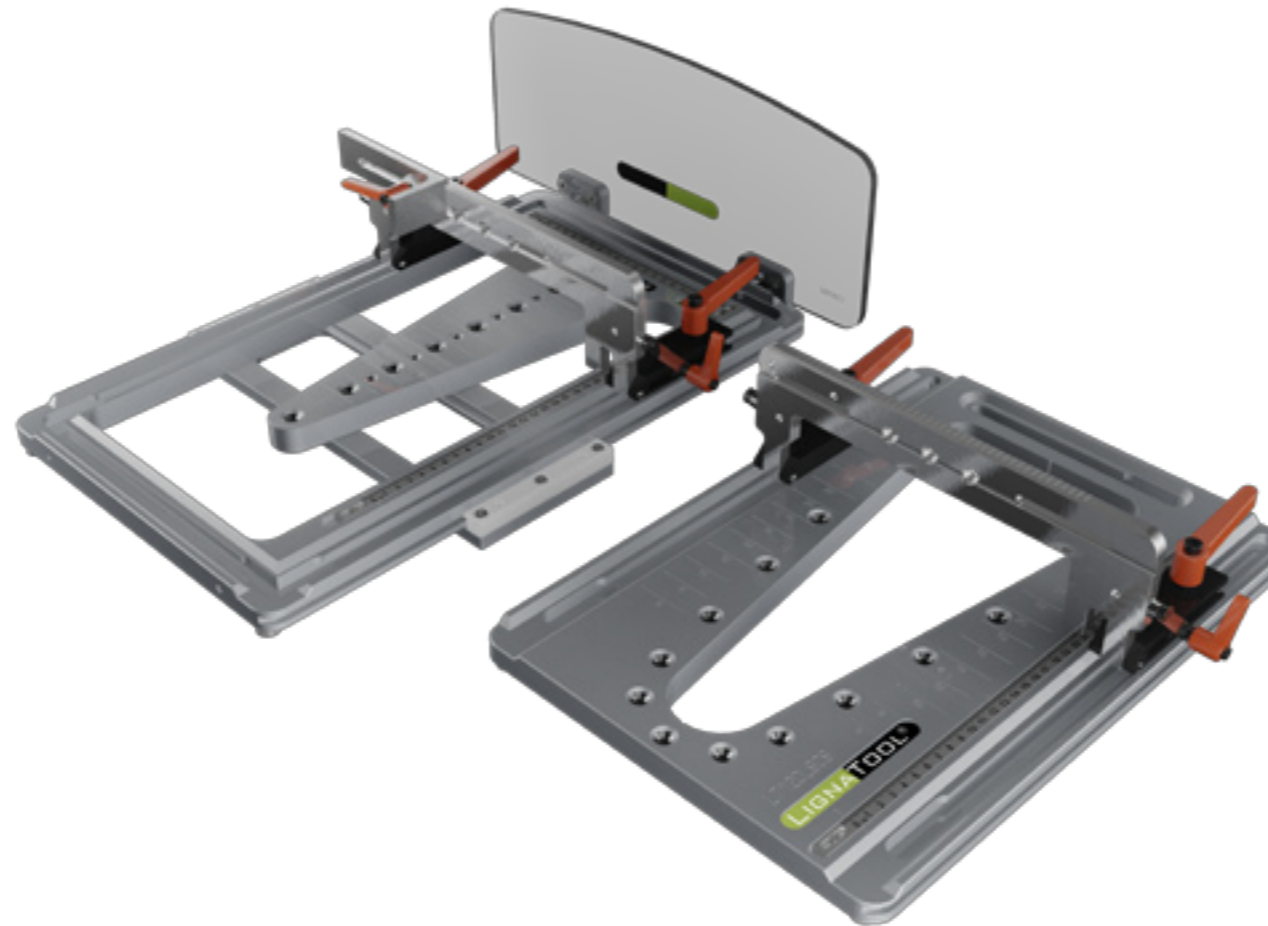
by rotation of 90°



mill the mortise



mill the tenon



## Template models - Sizes

Name:	LT060	LT080	LT120	LT180
timberbeam width: W	5-16 cm	5-18 cm	5-20 cm	10-28 cm
timberbeam height: H	4-36 cm	6-36 cm	8-36 cm	10-36 cm
cross section: W tot H	1 : 4	1 : 3	1 : 2	1 : 2

## Packages

Starter (ST)	●	●	●	
Standard (SR)	●	●	●	●
Professional (PR)	●	●	●	
Complete (CP)	●	●	●	



Package - Starter



Package - Professional



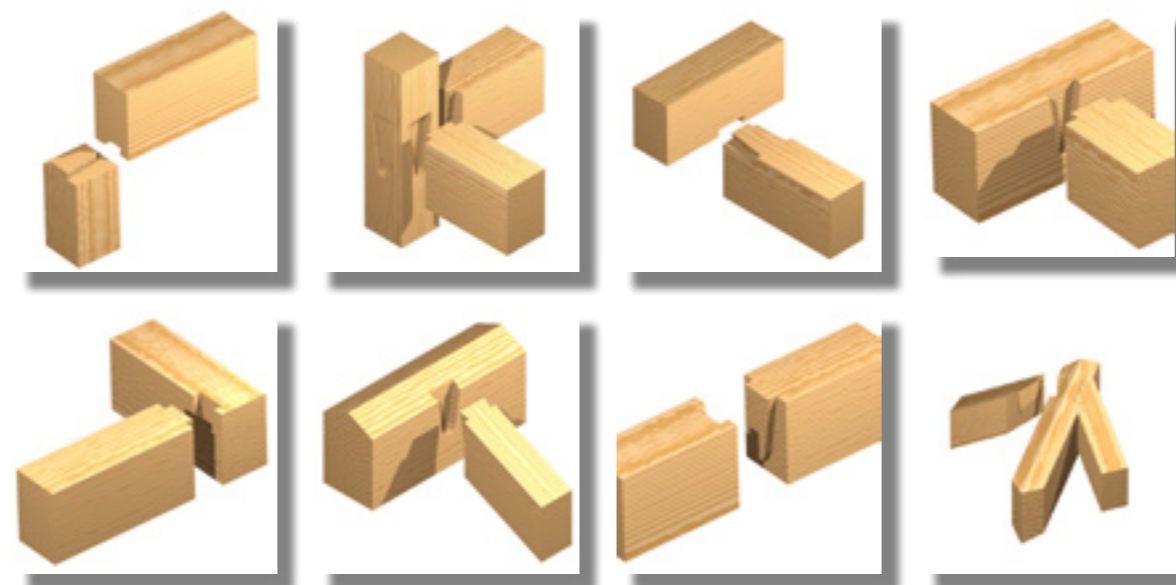
Package - Complete



Cutter with reversible blades



... the perfect wood connection:  
simple, quick and clean...



## Your advantages:

- safe milling through patented milling guide unit
- variable timber cross section
- variable length of tenon
- diagonally adjustable blocks
- quick and easy installation of timber construction
- mobile for workshop or construction site
- low-cost manufacture of timber connection
- no metal connectors required
- easy to be used by every carpentry
- visually and technically demanding wood connections
- various equipped packages - for every budget

# Lignatool - Universal template



Scale for timber width with clamp



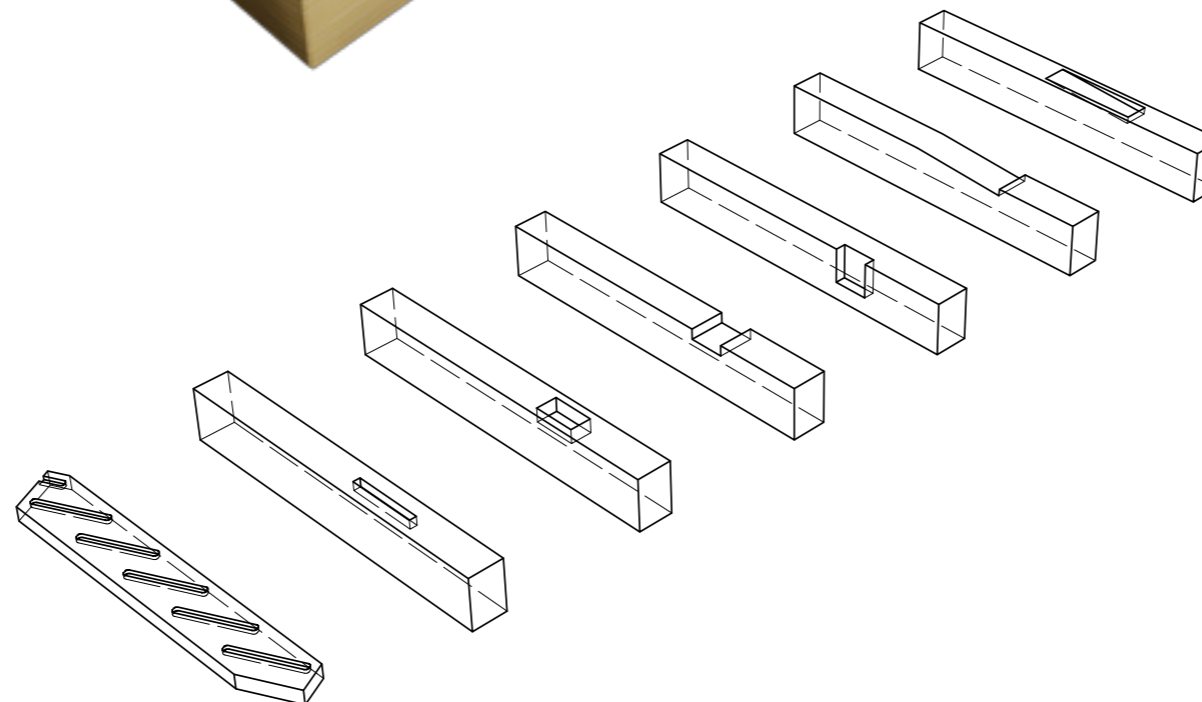
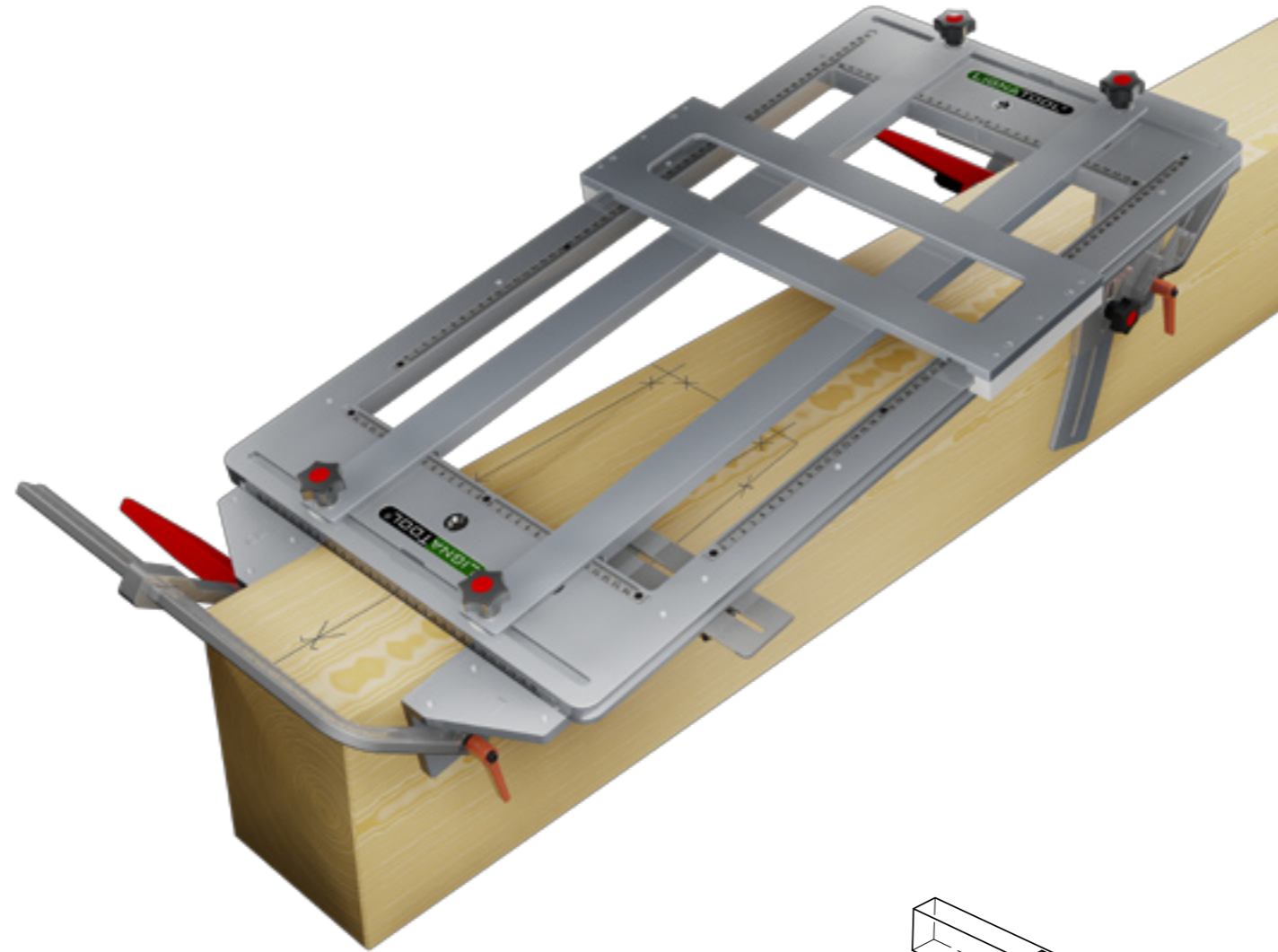
Scale for mortise width with cutting edge indicator



Angle adjustment with degree - and percent scale



Cutting edge indicator



Roughing cutter



Cutter with reversible blades



Struts offset



Long mortise



Ridge rafter hack



Notching

## Your advantages:

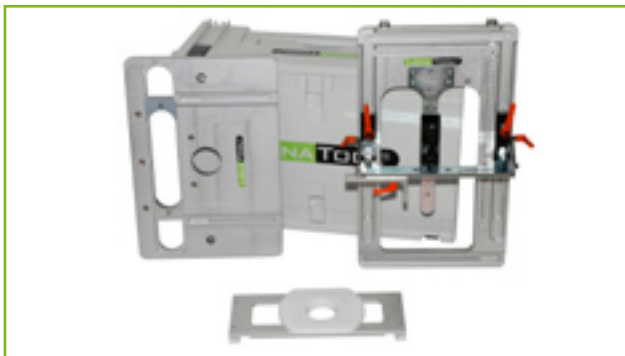
- safe milling through patented milling guide unit
- readable angle adjustment in degrees and in percentage
- fasten either through lever clamps or screws
- different special shapes by screwable form templates possible
- suitable for flat or diagonal cuts such as:
  - Struts offsets
  - tenon mortise / long mortise
  - Notches
  - Stringers
- maximum slot size 310 x 550 mm
- maximum inclination 25°
- suitable for at least 2,000 watts router cutters
- numerous equipment available

# Lignatool - Mortise and Tenon



## Your advantages:

- Safe milling through patented milling guide unit
- Available in different configurations:
  - with removable tenon
  - round tenon, width 30/40/60 mm
  - angular tenon, width 30/40/60 mm
  - with or without a mortise template
- Timber cross sections:
  - at 90 ° up to 18/24 cm
  - at 45 ° up to 18/18 cm
- Tenon length 40/60 mm



Package LTZ40(SR) without mortise template



Detailed view of mortise template



Tenon, either round or angular



Mortise and Tenon

## LIGNATOOL e.U.

Münchnerstrasse 21  
6330 Kufstein  
Austria

Tel. +43 5372 66066-15  
Text +43 5372 66066-16

E-Mail: [service@lignatool.at](mailto:service@lignatool.at)  
Internet: [www.lignatool.com](http://www.lignatool.com)  
Video: [www.youtube.com/lignatool](http://www.youtube.com/lignatool)

Partner:

**LIGNATOOL®**